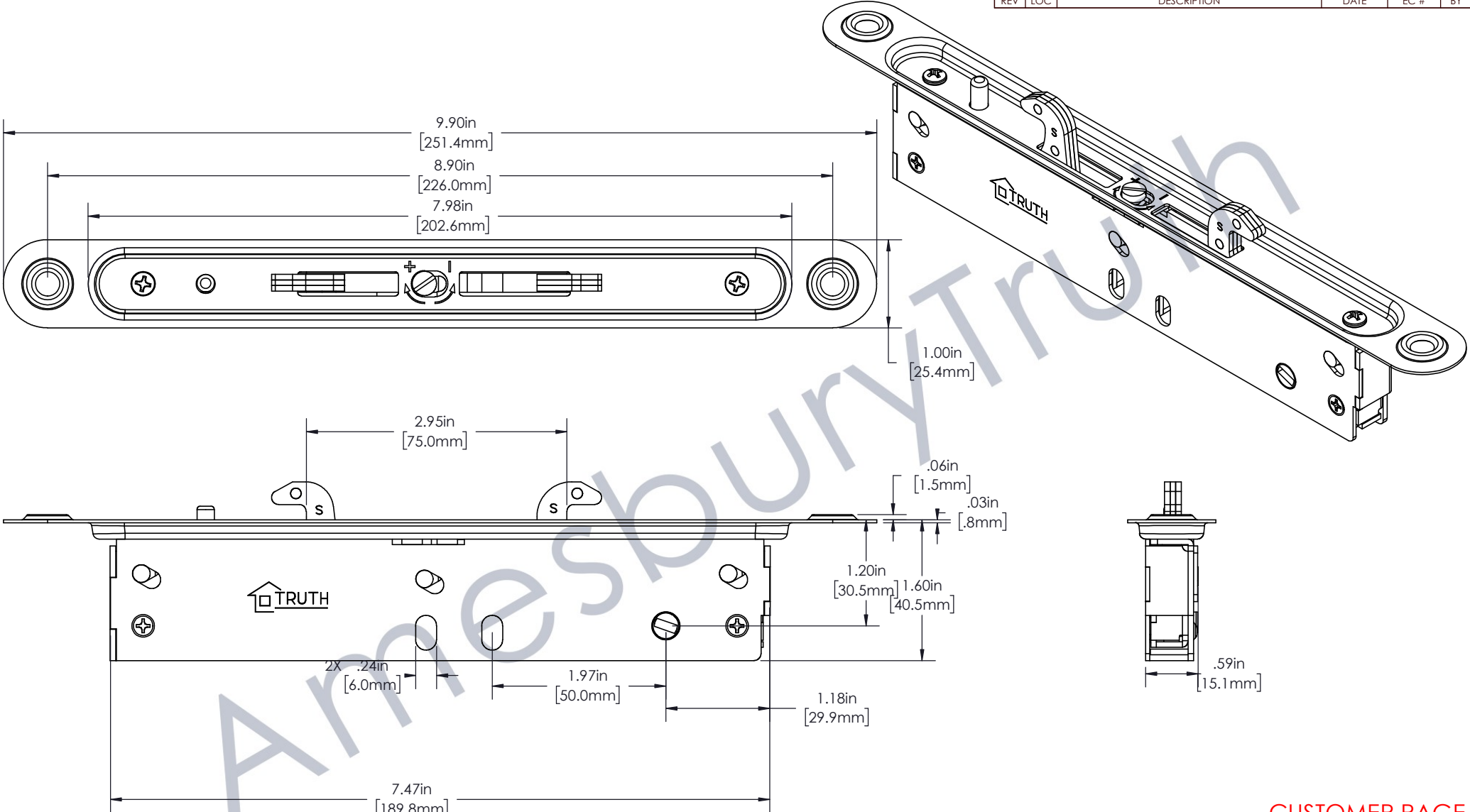


REV	LOC	DESCRIPTION	DATE	EC #	BY
-----	-----	-------------	------	------	----



CUSTOMER PAGE

MATERIAL: FINISH: HEAT TREAT:		Amesbury Truth Engineered Solutions. Trusted Results.	INTERPRET PER: ASME Y14.5M-2009	DRAWING TITLE: NEXUS TWO-POINT MORTISE LOCK 1IN RESESSED FACEPLATE STANDARD HOOK ADJUSTMENT RANGE RAISED MOUNTING HOLES	
SURFACE AREA: IN ²			UNITS: INCH	THIRD ANGLE PROJECTION	SCALE: 1:1 DRAWING # 13409
WEIGHT: LBS		<small>THE INFORMATION CONTAINED IN THIS DRAWING IS CONFIDENTIAL AND PROPRIETARY. THIS DRAWING IS NOT TO BE COPIED OR REPRODUCED IN WHOLE OR IN PART WITHOUT EXPRESS WRITTEN PERMISSION.</small>			